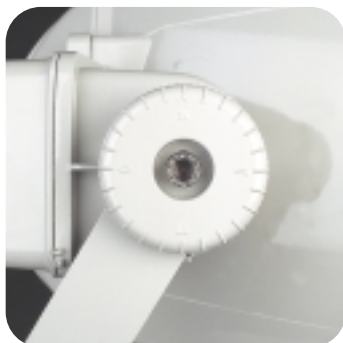
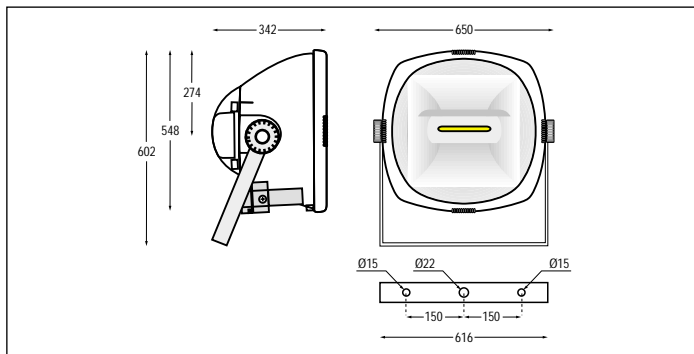


EF 2000



EF 2000 floodlight family for outdoor installation, with 2000W double-ended metal halide lamps with ceramic caps or max. 2000W tubular bulb metal halide or high pressure sodium lamps with E40 caps. The lamp operating components are to be installed separately, except the starter, which is integrated into the floodlight unless otherwise noted. Designed for the illumination of large areas, EF 2000 luminaires are especially suitable for large sporting facilities where excellent illumination, perfect beam control and optimum colour rendering are required for colour TV recording and broadcasting.

Body: die-cast UNI 5076 aluminium with RAL 7038 grey polyester powder paint finish. Painting is done by up-to-date DC galvanization process to maximise anti-corrosive properties.

A hinged door at the rear of the body allows access to the lamp without need to remove the front cover glass. The door is equipped with a circuit-breaker, which cuts off the lamp voltage at opening.

All the external screws are made of stainless steel.

Control gearbox: fibreglass-reinforced polyamid, mechanically fixed to the rear part of body.

Its cover is fixed by 4 stainless steel screws and provided with a PG 13.5 cable-gland for entering the electrical supply cables of ϕ 9-13 mm.

Cover glass: 4 mm thick clear tempered glass, resistant against thermal and mechanical shocks. The visor is fixed to the die-cast aluminium frame painted galvanically like the body. An anti-aging silicone gasket is fitted between the body and frame.

Orientation: by means of a graduated scale for correct aiming of the luminaire.

Reflector: 99.85% pure anodised and polished aluminium, available for various light distributions:

- rectangular beam, spot and flood in case of E40 capped lamps
- conical beam, ultra spot, spot, medium, medium-wide & wide in case of double-ended lamps.

The reflector has an internal louvre, which provides excellent light pollution and glare control.

Lampholder: ceramic, with clips to keep the lamp fixed in position.

Installation: by steel bracket painted like the body and provided with 3 mounting holes, 2 (ϕ = 15 mm) for the lateral and 1 (ϕ = 22 mm) for central mounting.

Burning position of the lamp axis: horizontal \pm 4° for double-ended types; any for E40 cap types.

Power supply box CSA: V0 self-extinguishing thermoset material.

Caution: Standard version of luminaire must not be operated at angles of inclination higher than 140° in relation to the vertical axis.

In case of higher degrees of inclination or HOT RESTRIKE (HR) types, please contact GE Sales Office.

Type	Lamp	Surfaces Exposed to Wind (m ²)	Beam	Weight (Kg)	Pack Qty. Box	Pallet	Product Code
EF 2000		Class: <input type="checkbox"/> IP 65					
		400V 50Hz	CEI 34.21 / EN 60598-1 / IEC 598				
EF2 US 2000	ULTRASPOT	HSI-TD 2000/D	0,295	Ultra-Spot	15,90	1 4	92634
EF2 S 2000	SPOT	HSI-TD 2000/D	0,295	Spot	15,90	1 4	92306
EF2 M 2000	MEDIUM	HSI-TD 2000/D	0,295	Medium	15,90	1 4	92307
EF2 MW 2000	MEDIUMWIDE	HSI-TD 2000/D	0,295	Medium-Wide	15,90	1 4	92635
EF2 W 2000	WIDE	HSI-TD 2000/D	0,295	Wide	15,90	1 4	92308

Complete with lamp.

EF 2000 HOT RESTRIKE		Class: <input type="checkbox"/> IP 65					
		400V 50Hz	CEI 34.21 / EN 60598-1 / IEC 598				
EF2 US 2000	HR ULTRASPOT	HSI-TD 2000/D/special	0,295	Ultra-Spot	15,70	1 4	92760
EF2 S 2000	HR SPOT	HSI-TD 2000/D/special	0,295	Spot	15,70	1 4	92758
EF2 M 2000	HR MEDIUM	HSI-TD 2000/D/special	0,295	Medium	15,70	1 4	92757
EF2 MW 2000	HR MEDIUMWIDE	HSI-TD 2000/D/special	0,295	Medium-Wide	15,70	1 4	92726
EF2 W 2000	HR WIDE	HSI-TD 2000/D/special	0,295	Wide	15,70	1 4	92759

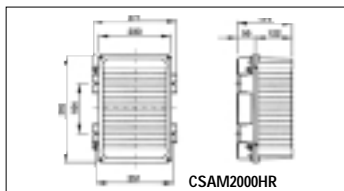
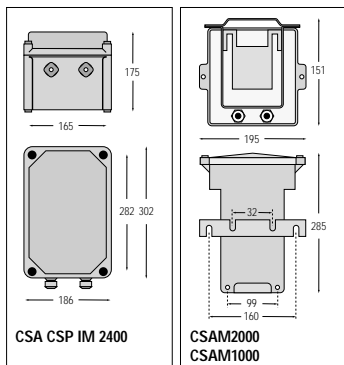
Complete with lamp.

EF 2000 E40		Class: <input type="checkbox"/> IP 65					
		230V - 400V 50Hz	CEI 34.21 / EN 60598-1 / IEC 598				
EF2E40 M 2000M	MEDIUM (*)	SPL2000/I/T/H/960/E40		Medium	15,90	1 4	92309
EF2E40 M 1000M	MEDIUM	SPL1000/T/H/960/E40		Medium	15,90	1 4	92310
EF2E40 M 1000S	MEDIUM	LU1000/T/40		Medium	15,90	1 4	92311
EF2E40 W 2000M	WIDE (*)	SPL2000/I/T/H/960/E40		Wide	15,90	1 4	92312
EF2E40 W 1000M	WIDE	SPL1000/T/H/960/E40		Wide	15,90	1 4	92313
EF2E40 W 1000S	WIDE	LU1000/T/40		Wide	15,90	1 4	92314

(*) Without starter - Complete with lamp.

EF 2000 RX		Class: <input type="checkbox"/> IP 65					
		400V 50Hz	CEI 34.21 / EN 60598-1 / IEC 598				
EF2RX M 2000M	MEDIUM	MBIL2000/L/H/652/spec		Medium	15,90	1 4	92316
EF2RX W 2000M	WIDE	MBIL2000/L/H/652/spec		Wide	15,90	1 4	92315

Complete with lamp.



Type	Lamp	Weight (Kg)	Pack Qty. Box	Pallet	Product Code	
Power Supply Box CSA		Class: <input type="checkbox"/> IP 65				
CSA CSP IM 2400 HPF 2000W 10,3A 400V	SPL2000/I/T/H/960/E40 & HSI-TD2000/D	19,00	1	56	92747	
CSAM2000 LPF 2000W 10,3A 400V	SPL2000/I/T/H/960/E40 & HSI-TD2000/D	16,90	1	80	92721	
CSAM1000 1000W HPF 230V	SPL1000/T/H/960/E40 & LU1000/T/40	12,20	1	80	92722	
CSAM2000HR HPF 10,3A 400V	HSI-TD 2000/D/special	22,10	1	16	92727	

Ballasts		Weight (Kg)	Pack Qty. Box	Pallet	Product Code
REATM2000 2000W 10,3A 400V	SPL2000/I/T/H/960/E40 & HSI-TD2000/D	0,80	1	96	91195
REATM1000 1000W 230V	SPL1000/T/H/960/E40 & LU1000/T/40	0,80	1	96	91204

Capacitors for LPF versions		Weight (Kg)	Pack Qty. Box	Pallet	Product Code
COND 60 µF 450V	2000W		1	960	92728
CON 2X45 µF 250V	MH 1000W		1	960	7002190
CON 4X25 µF 250V	HPS 1000W		1	960	7002186

Caution: Standard version of luminaire must not be operated at angles of inclination higher than 140° in relation to the vertical axis. In case of higher degrees of inclination, please contact GE Sales Office.

